

➤ **Check and Optimize SlowSpeed value.**

SlowSpeed value is one of system parameters controlling the force applied to aligner motor during fine auto alignment phase.

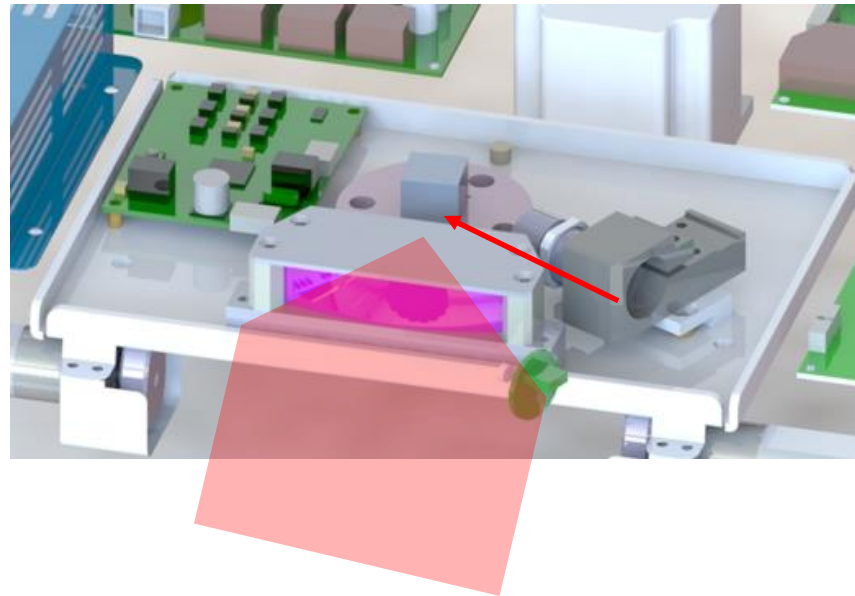
- 1) If SlowSpeed value is low, aligner motor does not reach an optimal best beam position.
- 2) If SlowSpeed value is high, aligner motor overshoots an optimal position.

Please refer to the procedures named “Align Calibrator Manual” for low Speed optimization.

➤ **Replace a Laser steering assembly.**

If Red laser is dim, PSD cannot read red laser hitting position.

Please refer to “FireCR Flash service manual” for laser steering assembly replacement.

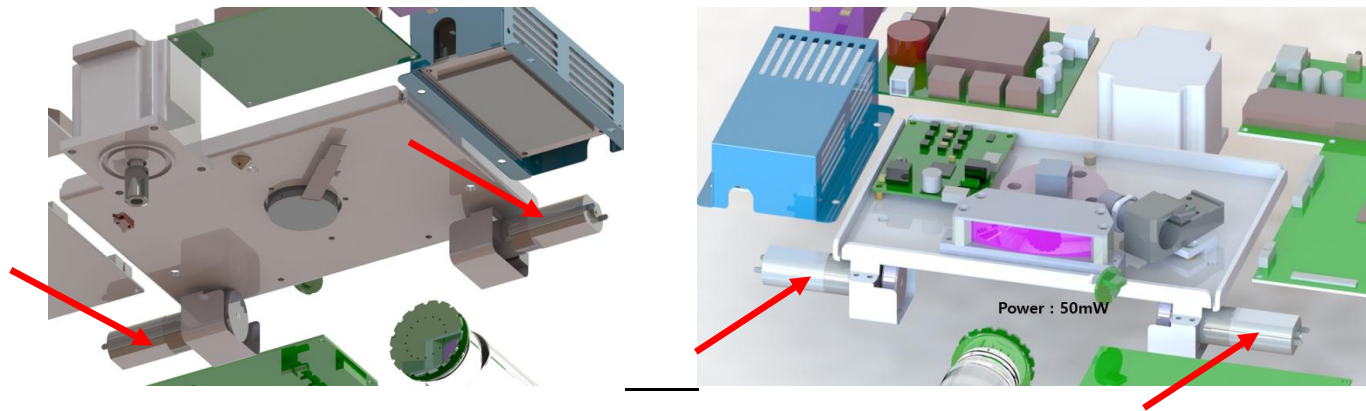


➤ Replace an Align motor

Case1) If either motor does not rotate during auto alignment process, the faulty motor need to be replaced.

Case2) Both aligner motors are working, but noise during auto alignment process has appeared because of friction between aligner motor and a laser steering assembly. It succeeds but take some time to complete the auto alignment process. In this case, both aligner motors need to be replaced.

4



➤ Bent LaserOpticModule

If a laserOpticModule is bent, red laser cannot scan entire PSD, and then it causes auto aligning issue.

In this case, we need to replace a LaserOpticModule.

